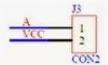
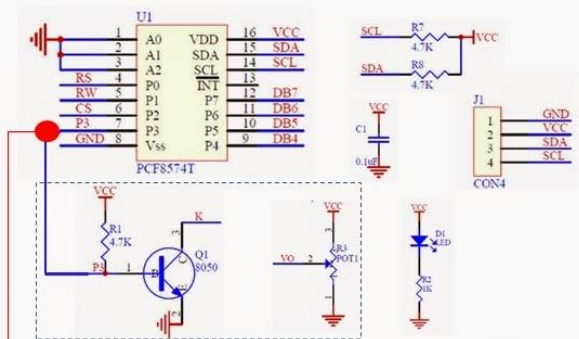




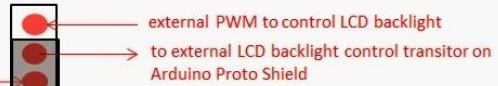
- 1 VSS (Ground)
- 2 VDD (+ve)
- 3 VE (Contrast Voltage)
- 4 Register Select
- 5 Read/Write
- 6 Enable
- 7 Data 0
- 8 Data 1
- 9 Data 2
- 10 Data 3
- 11 Data 4
- 12 Data 5
- 13 Data 6
- 14 Data 7
- 15 Backlight Anode (+ve)
- 16 Backlight Cathode (Ground)



IIC PCF8475 controlling LCD backlight



these functions of the IIC Display Controller are not used/connected to LCD (because they're already present on the Arduino Proto Shield)



external PWM to control LCD backlight
 to external LCD backlight control transistor on Arduino Proto Shield

default jumper position on Arduino Proto Shield
 (extra jumper option added to soldering prototyping area)